



Diversity Receiver

User manual

PTZE-P034-01

1. Specification:

- Receiver Frequency:
CH1: 5705MHz CH2: 5685MHz CH3: 5665MHz CH4: 5645MHz
CH5: 5885MHz CH6: 5905MHz CH7: 5925MHz CH8: 5945MHz
- Video Output: 75Ω/1Vp-p
- Audio Output: 10KΩ/500mVp-p
- TV System: PAL/NTSC/SECAM
- Input Voltage: 12V/500mA

2. Features:

- Twin Receiver for best reception
- Automatic Antenna Switching
- Triple, buffered AV outputs
- Can receive 2 different channels at the same time
- Not affect by 2.4GHz R/C Radios
- AV Receiver with Diversity inputs
- Small, light weight,durable,anodized aluminum case
- Weight:
- Size:

3. Operation and Figures

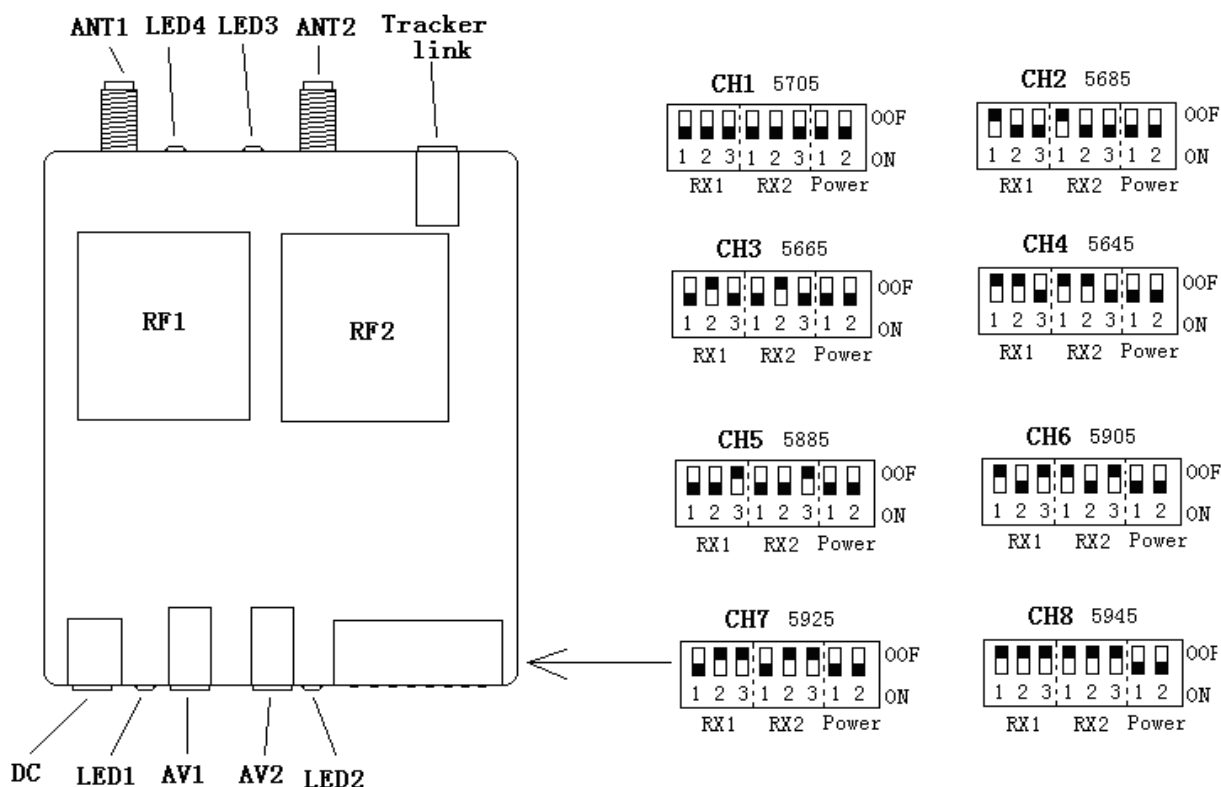


图1

- To receive two different channels at the same time:
 - ① Connect the AV cables to the AV output: AV1 and AV2, and connect the antennas, and then apply the power
 - ② Switch on the power button, 1 is on/off switch for RF1, LED1 will be on when it's turned on, 2 is for RF2, LED2 is on and then the receiver will work, you can view the image on the monitor
 - ③ Select the channel: RX1 for RF1 and RX2 for F2, with different position of the number 1, 2,3 names different channels
- Operation for Diversity use
 - ① Connect the AV cables to the AV output: Tracker link, and connect the antennas, and then apply the power
 - ② Switch on the power button for both 1 and 2
 - ③ Set RX1 and RX2 to the same channel
 - ④ LED4 for RF1 and LED3 for RF2. The LED will be on when the strongest signal is confirmed. It will automatically switch to the receiver with the strongest signal